

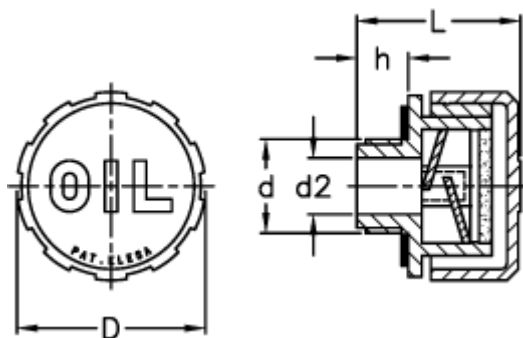
Data Sheet



Article number: 2311056742

Description: E+G Breather plug
SFP.57-1+F FOAM

Measures



D = 57

d = G 1

d2 = 23

h = 14.0

L = 42.0